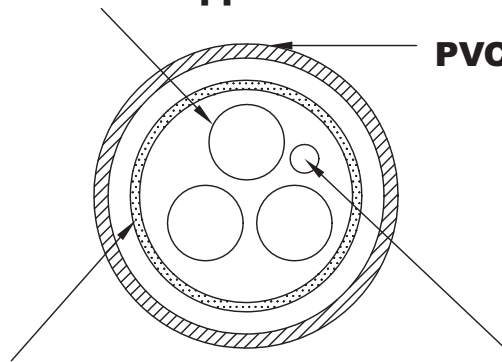


Material:

- Plug Mark: 10A 125V 1250W
- Power Wire: (UL) E88265-C SJT 75°C 18AWGX3C VW-1
 - CSA Type LL81924 SJT Shielded 60°C 18AWGX3C FT2
 - Jacket color: Black
 - Insulation color: Black, White, Green
- Jacket to be stripped back 50.8MM to expose conductors
- Conductor to be stripped back 15.9MM to expose strand copper as shown

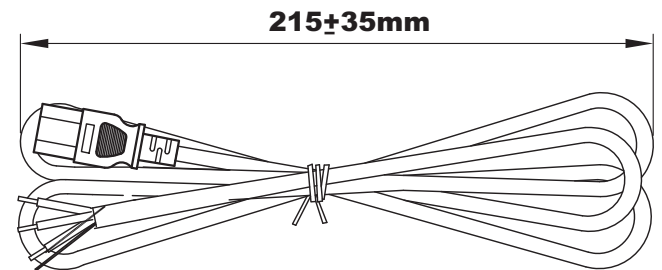
**Conductor, 18AWG
41/0.16 Bare Copper**

PVC Outer Jacket



**Aluminum Foil Shield
(Detail)**

**Drain Wire
(7C/0.254mm)**



Ⓜ = Assmann logo



ITEM NO.	AK500-OE-9-2-R
TITLE	Power Cord - Male <=> Open End, SJT, 2 Meters, 18AWG x 3C with Drain Wire

ASSMANN
Electronics, Inc.

1840 W. Drake Drive, Suite 101 • Tempe, AZ 85283
Toll Free: 1-877-277-6266 • Email: info@usa-assmann.com

THIS DRAWING IS UNPUBLISHED
©Copyright 2009 by Assmann Electronic Components
All International Rights Reserved