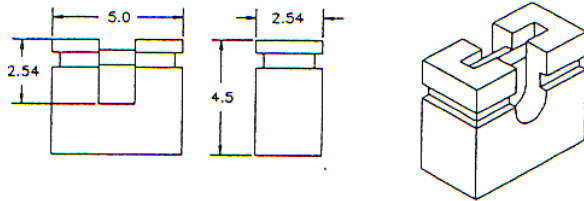


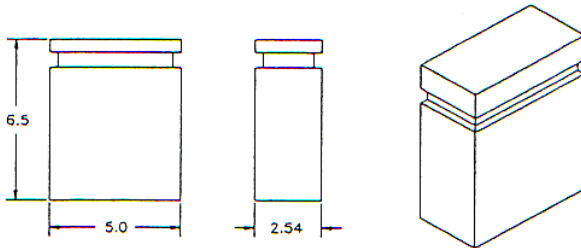
JUMPERS



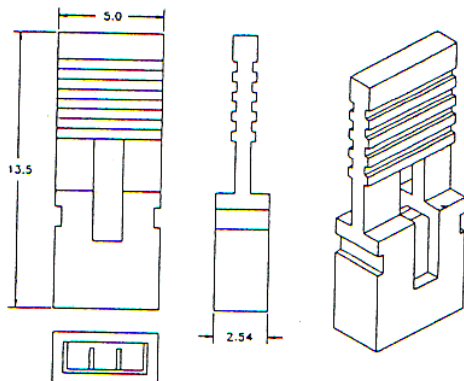
AKSNT



AKSCT



AKSPLT



FEATURES AND OPTIONS

- Available in closed top, test slot, removal grip, or ultra low profile versions (.177")
- Color options include black, blue and red
- Plating options include tin, gold flash, or 30µ" gold
- Used on .025" square post pin headers
- Mates with Assmann part number series: AW140, AW140A, AWL and AWLA

SPECIFICATIONS

MATERIALS

Contact: Phosphor Bronze
Insulator: Polyester (UL 94V-0)

ELECTRICAL

Insulator resistance: 5000MΩmin.
Current rating: 3 amp
Operating temperature range: -40°C~ + 105°C
Dielectric withstanding: AC 500V

HOW TO ORDER

AKSXX-X-X-X-R

- Add -30 for 30µ" gold plating
- X = Color code
 - BLK = Black
 - BLU = Blue
 - RED = Red
- G = Gold flash, Z = Tin plating
- Insulator Type:
 - CT = Closed top
 - PT = With test slot
 - PLT = With removal grip
 - NT = Low profile, open top

